

USER MANUAL



Thank you for choosing Better Bathrooms.
Please read this manual before installing your product
and keep for future reference.

better 
bathrooms

Thermostatic Radiator Valves



Please note: Image is for illustrative purposes only and may differ slightly to the actual product

- **Single-person assembly**
- **Tools required**
- **We always recommend using professional tradespeople to install your product**

V2_27.07.21

Congratulations on your purchase

And welcome to our growing gang of savvy shoppers

We're on a mission to bring you extraordinary bathroom products, for less. From modern to traditional style ceramics, plus the gorgeous fixtures, fittings and furniture to match. So, you can fall in love with your space every single day.

As one of the UK's largest independent bathroom stores, we've received countless awards; including the National Business Awards UK, the Digital Entrepreneur Awards and being placed on The Sunday Times Fast Track 100.

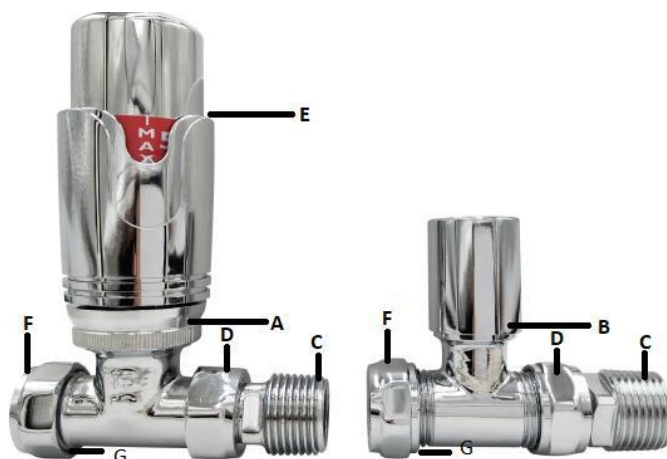
We hope your new product exceeds your highest expectations. However, if you experience any problems, please:

- call our friendly UK call centre on **0330 390 3062** (9am-7pm Monday to Friday, or 10am-4pm Saturday and Sunday), or
- send us a message via **customerservices@buyitdirect.co.uk**

Important information

- Please read these instructions thoroughly and retain for future reference
- Manufactured to EN 215.
- Please ensure that the product is checked for damage prior to installation, any damage reported after installation will not be covered. Please retain all original packaging in case your item is to be returned.
- The pipework must be flushed out to remove any debris which can affect the function of this product.

Parts



Please note that Parts are for illustrative purposes only and may differ slightly to the actual product

- A. 1 x Radiator valve (reversible bi-directional body)
- B. 1 x Lockshield Valve
- C. 2 x Tail
- D. 2 x Nut
- E. 1 x Thermostatic head (dial)
- F. 2 x Compression nut
- G. 2 x Olive (inside F)

Please note: Prior to installation, check that all the illustrated contents are present and correct.

Tools required

Spanner

PTFE tape (Sealing tape)

About me

Thermostatic valves are used to regulate the flow from the central heating system to the radiators. They feature a regulating element which automatically controls the opening of the valve, which keeps the temperature of the room where they're installed constant to the set value.

The number on the valve corresponds to a specific air temperature. Setting the desired number (please refer to the Technical Specifications) will make the thermostatic valve maintain this temperature. This prevents unwanted temperature from rising, ensures constant room temperature and is energy efficient.

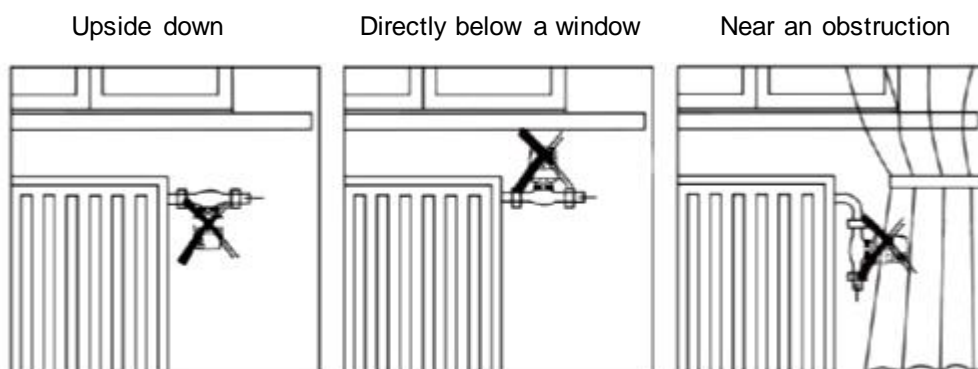
Installation

It is advised that the installation of these valves is carried out by a fully qualified plumber or advice is obtained for a suitable qualified person or plumber.

Please note: Before starting any installation, turn off the water supply.

First, ensure that the radiator is clean from debris before you start to install the valves and in conjunction with the valves, follow the radiator or towel rail installation as per the manufacturer's instructions.

Do not fit in the following positions-



1. Wrap PTFE tape clockwise around the tail thread then screw the threaded end into the radiator or towel rail (by hand).



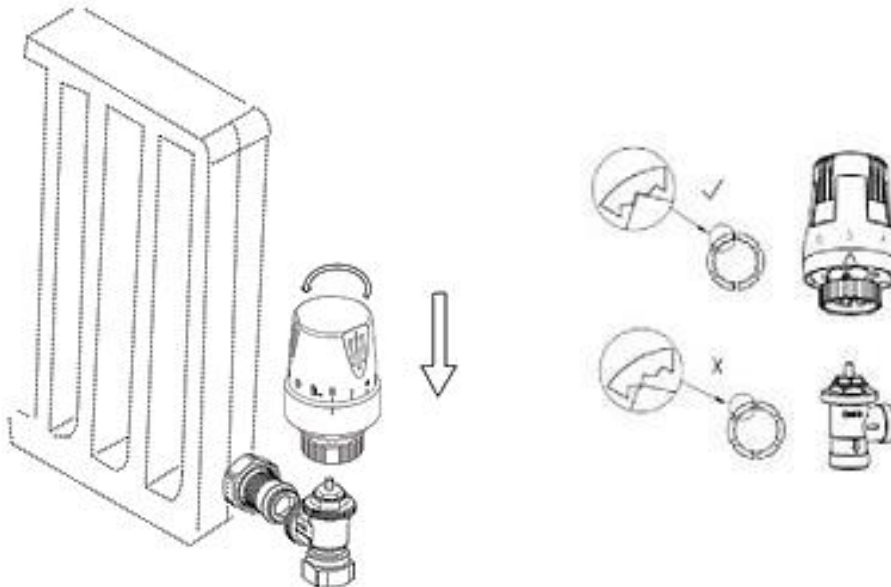
2. Tighten the nut (on the tail thread) using an appropriate tool, usually an Allen key.



3. Fit the radiator valve, compression nut and olive over the end of the pipe, do not tighten yet. By hand turn it to the correct position and connect to the valve tail and nut fitted to the radiator, then tighten using a spanner. Repeat the same process for the lockshield valve on the opposite side.



4. Next, fit the thermostatic head (dial) onto the valve spindle, as shown in the diagram, once this is attached you may run the central heating to the radiator.



Please note: Ensure that the Thermostatic dial is correctly attached as shown in the above right diagram.

Turn on the water supply and check for leaks.

Cleaning

To maintain the surface finish of your product, wipe clean after every use, using a clean damp cloth, a mild detergent mixture can be used. Do not use abrasive cleaning agents or materials on the product surface.

If any harsh chemicals come into contact with the surface of the product during bathroom cleaning, rinse off immediately, wipe clean and dry.

Technical Specifications

- Certified EN 215.
- With thermostatic head and reversible bi-directional body.
- Built-in sensor with liquid filled element.
- Graduated scale from 0 to 5 corresponding to temperature settings of 7°C to 28°C.
- Frost protection setting (as per below table).
- Fully tested to 10 bar.
- Max pressure difference: 1 bar.
- Normal flow rate: 215 lt/h.
- Max flow temperature 120°C.
- Can be mounted horizontally and vertically.
- To avoid flow related noise, the differential pressure between the flow and return pipes should not exceed 0.2 bar. To achieve this, a differential by-pass valve should be fitted to the system and set to 0.2 bar.

0°C	7°C	12°C	16°C	20°C	24°C	28°C
0	*	1	2	3	4	5

For more information

- visit betterbathrooms.com
- email customerservices@buyitdirect.co.uk
- call 0330 390 3062
- write to Trident Business Park, Neptune Way, Huddersfield, HD2 1UA

better 
bathrooms

Part of the BuyItDirect Group